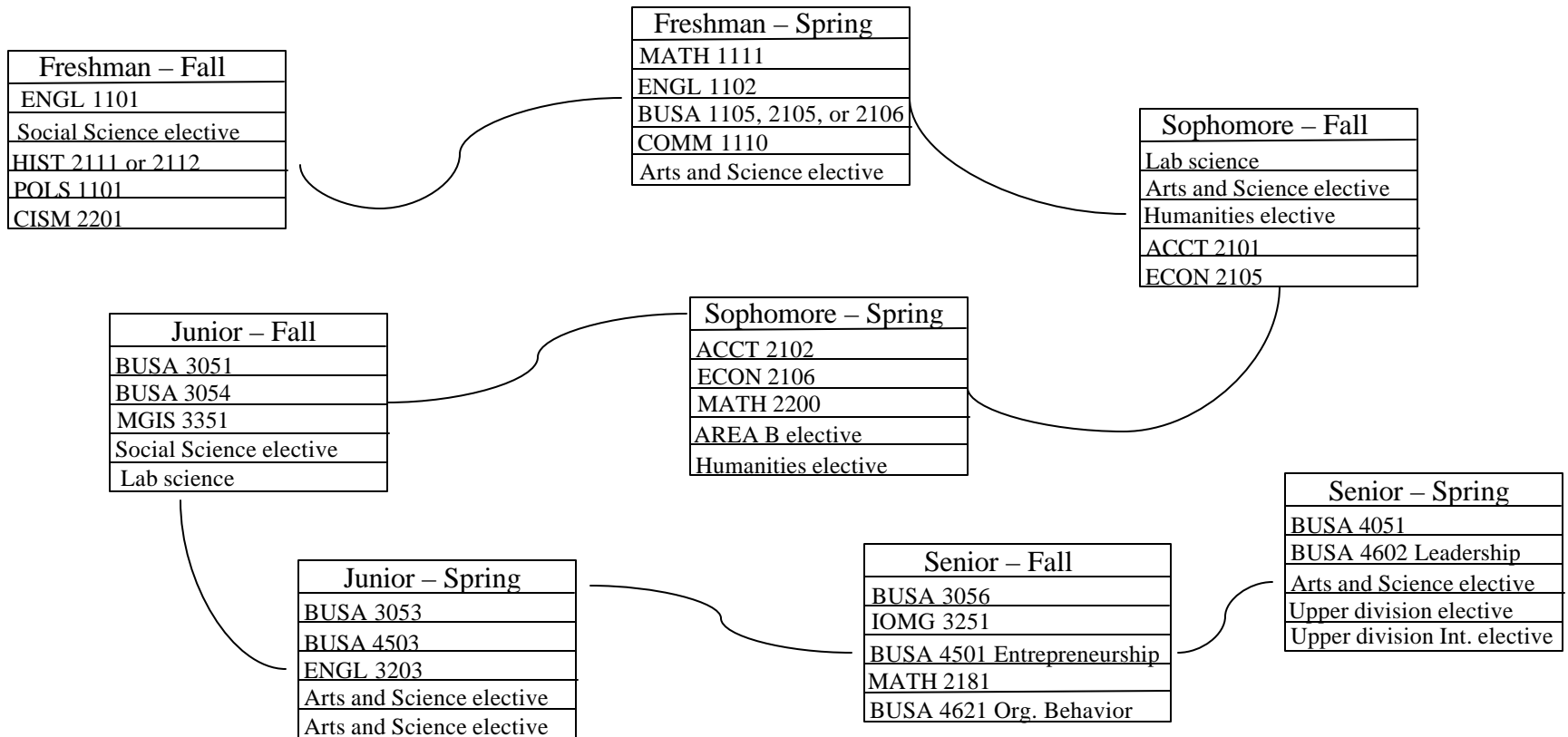




Program Progression Diagram

Bachelor of Business Administration in Management



All DSC students must have current First Aid/CPR certification or take PHED 1000.

Students must take one PHED activity or First Aid/CPR class for each semester enrolled “fulltime daytime”(maximum of 4)

Students must meet entrance and RTP requirements before enrolling in upper division (3000 and 4000) classes.

Upper division classes are taught in the semesters indicated while most lower division classes are taught every semester.

See www.daltonstate.edu/butec/courses/schedule/ for additional scheduling information.

Based on 2002 – 2003 Dalton State College Catalog

Revised August 11, 2002